

# REBLOC RB110-8

Standard element

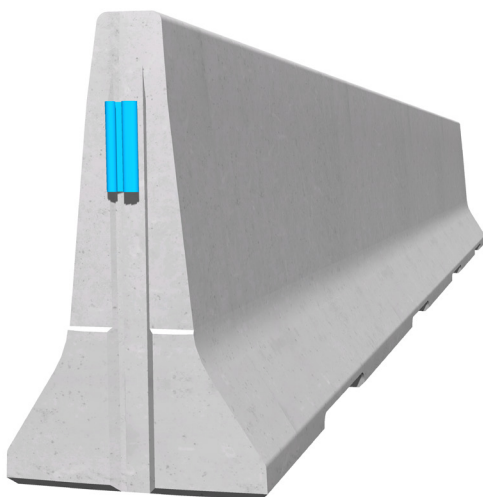
Installation  
Free standing

H4b

W6



Containment level **H4b** (covers H3, H2, H1, N1, T3, T2 and T1)  
Working width **W6** (covers W7 and W8)  
Impact severity level **ASI B**



Precast concrete vehicle restraint systems are used for long lasting protection on the central reservation and along the verge. Vehicles deviating from the road are retained or redirected and prevent a dangerous breakthrough onto the opposite carriageway.

In addition to the safety of road users, priorities in the development of our systems are also economic efficiency and return on investment. In addition, a long life as well as low environmental impact are important product features. As with all REBLOC® products, the 110-8 has the integrated coupling, which guarantees a high protection against breakthrough and the elements can be quickly connected to each other.

 0115 983 2304

 [sales@hardstaffbarriers.com](mailto:sales@hardstaffbarriers.com) | [enquiries@hardstaffbarriers.com](mailto:enquiries@hardstaffbarriers.com)

 A Division of Hill & Smith Ltd, Hillside, Gotham Road, Kingston-on-Soar, Nottingham, NG11 0DF

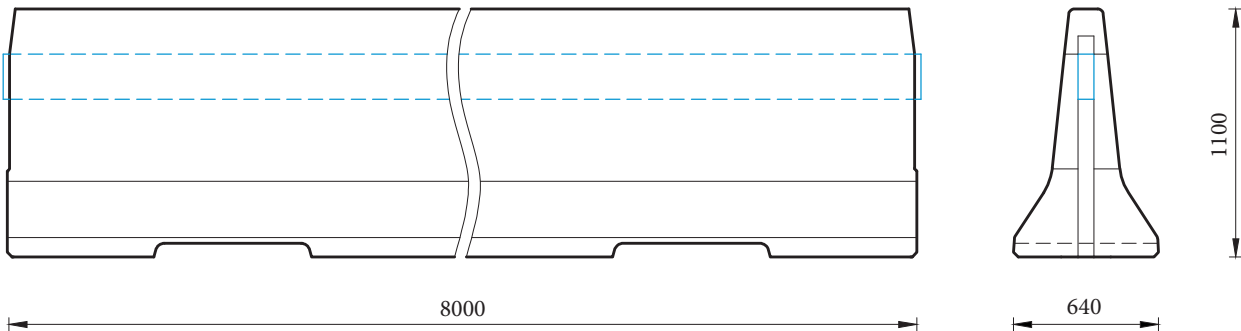
# REBLOC RB110-8

Standard element

H4b

W6

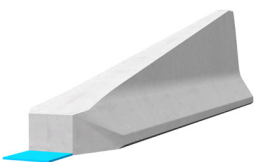
## Technical data



all dimensions in mm

Containment level	H4b
Working width	W6
Impact severity level	ASI B
Vehicle intrusion	VI8
Installation	free standing on asphalt/concrete
Terminal elements	required; REBLOC 110L-4.5T (4 x M24 adhesive anchor)
Dimensions L x W x H in mm	8000 x 640 x 1100 mm
Weight/element (approx.)	6000 kg
Elements/truck (24 t)	4 elements
Minimum installation length	104 m (not including terminal elements)
Curve radius	$r \geq 108$ m, smaller radii in comb. with REBLOC 110-4 and REBLOC 110-2
Coupling/exposed steel parts	fully integrated, exposed parts hot-dip galvanized
CE certification	✓

## System element - combinable



Terminal element  
REBLOC 110L-4.5T  
(inclination 1:5)